

2009

-

:

1 :

03

0.75

$$\square = 266,48 - 96,45 = 170,03$$

$$96,45 + \square = 266,48$$

0.75

$$\square = 65,21 + 23,68 = 88,89$$

$$\square - 23,68 = 65,21$$

0.75

$$\square = 123,6 \div 12 = 10,3$$

$$12 \times \square = 123,6$$

0.75

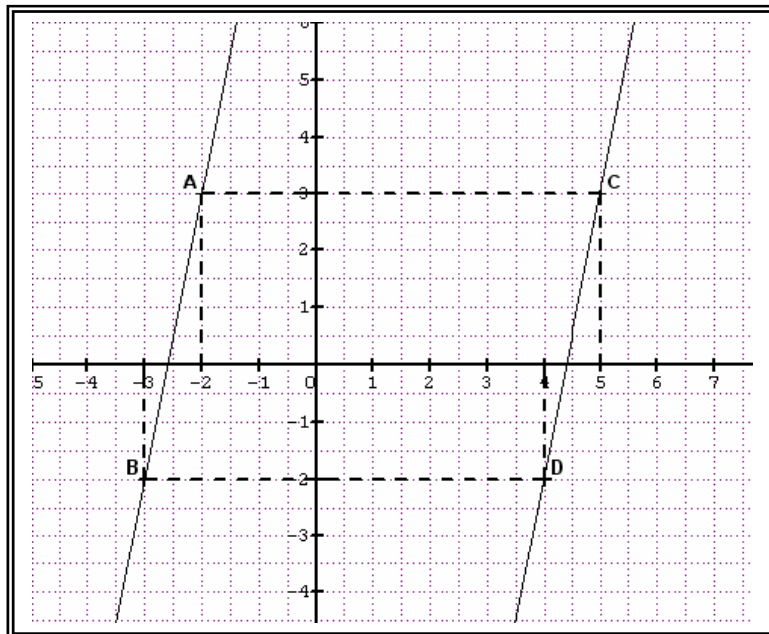
$$\square = 1,72 \times 3,55 = 6,106$$

$$\square = 1,72 \times 3,55$$

03

0.5x4

. D(4 ; -2) C(5 ; 3) B(-3 ; -2) A(-2 ; 3) :



0.25

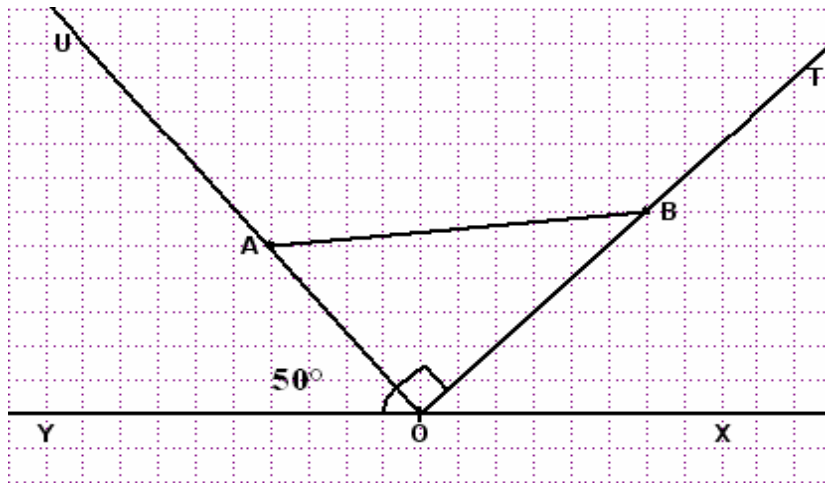
:(CD) (AB)

0.25

(CD) (AB)

03

01

:  $\widehat{XOT}$ 

$$0.50 \quad \widehat{XOT} = \widehat{XOY} - (\widehat{YOU} + \widehat{UOT}) = 180^\circ - (50^\circ + 90^\circ) = 180^\circ - 140^\circ = 40^\circ$$

$$0.50 \quad \widehat{XOT} = 40^\circ$$

O AOB

: AOB

01

$$S = \frac{OA \times OB}{2} = \frac{3,5\text{cm} \times 4\text{cm}}{2} = \frac{14\text{cm}^2}{2} = 7\text{cm}^2$$

$$S = 7\text{cm}^2$$

. 20% 50% : 80

03

0.25

$$100\% - (50\% + 20\%) = 100\% - 70\% = 30\%$$

0.25

$$80 \times 50\% = \frac{80 \times 50}{100} = \frac{4000}{100} = 40 :$$

0.25

$$80 \times 20\% = \frac{80 \times 20}{100} = \frac{1600}{100} = 16 \text{ الماعز هو: } 16$$

0.25

$$80 \times 30\% = \frac{80 \times 30}{100} = \frac{2400}{100} = 24 :$$

0.75

		الماعز	
	40	16	24
	50%	20%	30%

0.25

$$\alpha_1 = \frac{360 \times 50}{100} = \frac{18000}{100} = 180^\circ$$

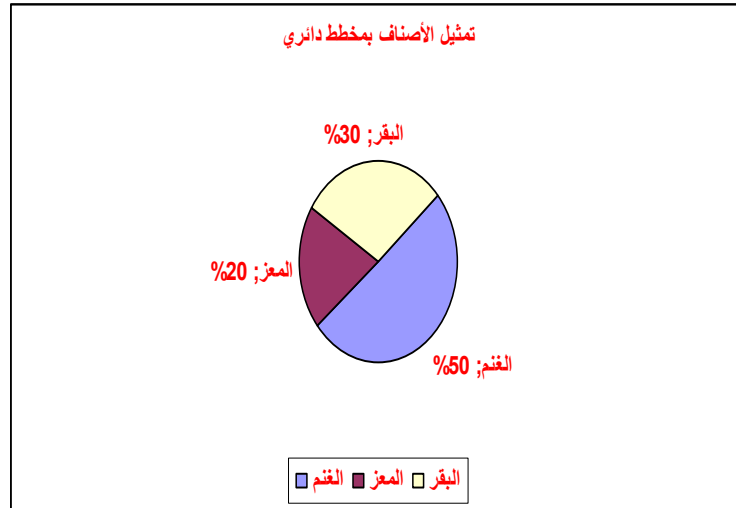
0.25

$$\alpha_2 = \frac{360 \times 20}{100} = \frac{7200}{100} = 72^\circ$$

0.25

$$\alpha_3 = \frac{360 \times 30}{100} = \frac{10800}{100} = 108^\circ$$

0.50



08

0.75

: (V)

$$V = 1,80\text{m} \times 1,20\text{m} \times 0,90\text{m} = 1,944\text{m}^3$$

0.50

$$V = 1,944\text{m}^3 = (1,944 \times 1000)\text{dm}^3 = 1944\text{dm}^3$$

0.50

$$V = 1,944\text{m}^3 = (1,944 \times 1000)\text{L} = 1944\text{L}$$

(V1):

0.75

$$V1 = \frac{3}{4} \times V = \frac{3}{4} \times 1944\text{L} = \frac{3 \times 1944\text{L}}{4} = \frac{5832}{4}\text{L} = 1458\text{L}$$

0.50

(V2):

$$V2 = V - V1 = 1944\text{L} - 1458\text{L} = 486\text{L}$$

0.50

16

$$: 1944\text{L} \div 120\text{L} = 16,2$$

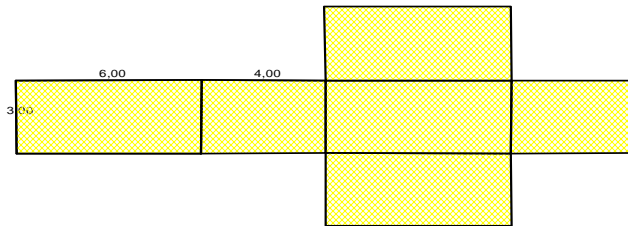
0.50

0.50

0.50

$$\begin{aligned}
 & : \\
 & : \\
 180\text{cm} \times \frac{1}{30} &= \frac{180\text{cm}}{30} = \frac{18\text{cm}}{3} = 6\text{cm} \\
 120\text{cm} \times \frac{1}{30} &= \frac{120\text{cm}}{30} = \frac{12\text{cm}}{3} = 4\text{cm} \\
 90\text{cm} \times \frac{1}{30} &= \frac{90\text{cm}}{30} = \frac{9\text{cm}}{3} = 3\text{cm} \\
 & :
 \end{aligned}$$

01



01

01

02