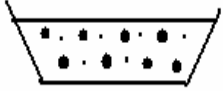
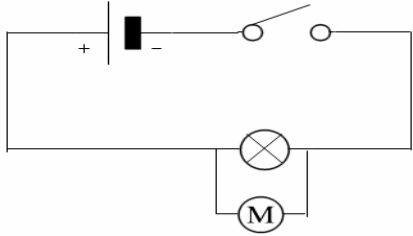
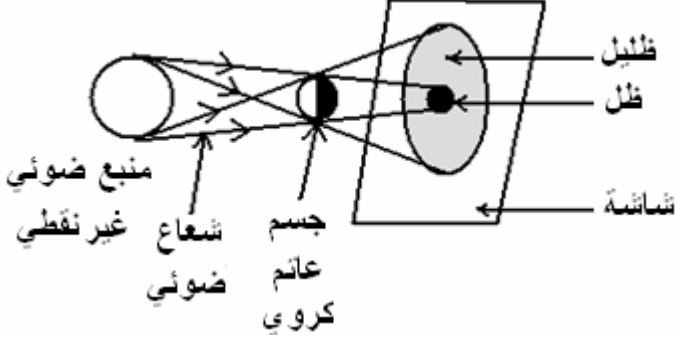


2009	-
:	:

6	1 1 1 1 0.5 0.5 0.5 0.5		: ( (1 : $C=10/0.1=100 \text{ g/l}$ (ب ( $3 \text{ Kg} = 3000 \text{ g} = 300 \text{ dag}$ (2 $3 \text{ dm}^3 = 3000 \text{ cm}^3 = 3 \text{ L}$ $4 \text{ m}^3 = 3000 \text{ cm}^3 = 3 \text{ L}$ $5 \text{ Km} = 5000 \text{ m} = 500 \text{ dam}$
6	4x0.5 0.5  1  1  0.5 1		( (1 ( (  - - (2  (3  1.5 V : ( 1.5v +1.5 v-1.5 v =1.5v)

8	<p>4x0.25</p> <p>4x0.25</p> <p>2x0.25</p> <p>2x0.25</p> <p>0.25</p> <p>3x0.25</p>	<p>: ( 1</p> <p>: (</p> <p>: (</p> <p>: (</p> <p>: (</p> <p>: (</p> <p>: (</p>	
	<p>6x0.5</p> <p>1</p>	 <p>منبع ضوئي</p> <p>شعاع ضوئي غير نقطي</p> <p>جسم عاتم كروي</p> <p>ظلليل</p> <p>ظل</p> <p>شاشة</p>	<p>: (</p>